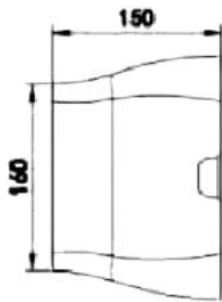
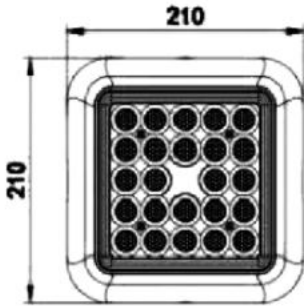


VOLCA



Description:

VOLCA is a Inground lights typically adaptos durable, weather-resistant housings suitable for outdoor use. Excellent heat dissipation. It include features such as corrosion resistance , dustproof, anodized and polished, sandblasted, not easy to rust & fade. Toughened glass surface, with high hardness, not easy to break. It comes with different CCT and R/G/B LED sources & various beam angles this family is a perfect solution to the requirement. High-brightness high-quality led, high lumen, low light loss, long light source life. It has very wide application like For landscape lighting, garden lighting, horticultural engineering design, public fountain square Lighting.



Product Specification:

Material: Die cast aluminum
 Coating: Powder Coating
 Front cover : Die cast aluminum
 Finishes: Grey/Customizable
 Gasket: Molding shaped silicone seal
 Lens/Reflector : Optical lens
 Power Cable: 0.5 mt. power cable included
 Driver : High efficiency, low flicker driver
 Installation Type: Inground.
 Warranty: 5 Years

Technical Specification:

Wattage: 24 - 48W
 Voltage: DC24V / 220-240V AC
 Frequency: 50-60Hz
 Light Source: OSRAM/EPISTAR/CREE
 Lumen: 110lm/W
 Mac Adam: 3 Step
 Safety Class: III / II
 Working Temperature:-20°C to 55°C
 Life Time: 50,000hrs (L80/B10) at 35°C

Parameter:

Wattage	:	24W / 28W/ 48W/ 52W
Finish	:	Grey(G) / Customized(C)
Kelvin*	:	3000K / 4000K / 6000K / RGB / RGBW
Beam Angle	:	5° / 10° / 15° / 30° / 45° / 60° / Symmetric / Asymmetric
CRI	:	80
Driver	:	ON/OFF / 0/1-10V / Phase Cut / DALI / DMX

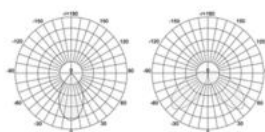
*Special Colour & Finish on Request.

Product Chart:

Product Code	LED/Wattage	Kelvin	Voltage
54421048XX.24	24X2W	Single color	24VDC
54421048XX.22	24X2W	Single color	220-240VAC
5442102492.24	12X2W	RGB 3 IN 1	24VDC
5442102493.24	12X2W	RGB 3 IN 1 DMX	24VDC
5442104882.24	24X2W	RGBW 3 IN 1	24VDC
5442104883.24	24X2W	RGBW 3 IN 1 DMX	24VDC

*Above mentioned standard wattages can be customized according to designed LUX requirement.
 *XX - 3000K/4000K/6000K

Photometric:



Standards

- EN 60598-1
- EN 60598-2-2
- EN 60598-2-22
- EN 61000-3-2
- EN 61000-3-3
- EN 61547
- EN 55015

Pluxb luminaires are developed with globally recognised and tested components suppliers, however as per international standards tolerance in initial flux and connected load is at ±5%. Unless stated otherwise, the values apply to an ambient temperature of 25°C.