

## FILLET



LM80



### DESCRIPTION:



Ultra-high efficiency, up to 130lm/w. High quality FPC, authentic 3M tape. Self-encapsulated design 2835 LED, Meet (EU)2019/2020 ErP regulations. Min. Bending Diameter  $\Phi$ 50mm. Light source lifetime 50K hours(L80).

### TECHNICAL DETAILS:

Power : 4 - 14W/M  
 Voltage : DC24V  
 CRI > 80  
 Led Qty : 140LEDs/M  
 Strip Width: 10mm  
 Length/Reel : 5M  
 Working Temperature : -20~50°C  
 Storage Temperature : -30~80°C  
 Voltage Range : 23 ~25V dc  
 Reverse Voltage : 25V dc  
 Warranty : 5 years

### FIELDS OF APPLICATION:

Retail  
 Reception areas  
 Galleries hotels  
 Living spaces

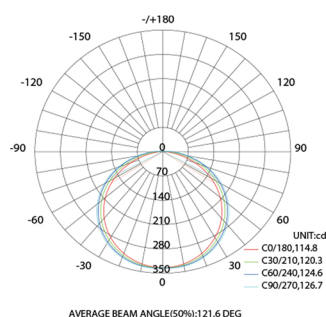
### PRODUCT CHART:

Product Code	Rg	Typical Power (W/M)	Max. Power (W/M)	CCT	Luminous Flux
951010440	96	4	4.4	2700K	480
				3000K	500
				4000K	520
				6000K	540
951010940	96	9	9.6	2700K	1130
				3000K	1150
				4000K	1170
				6000K	1190
951011440	96	13	14.4	2700K	1780
				3000K	1800
				4000K	1820
				6000K	1840

### ACCESSORIES:

Product code	Type	Description	Image
DJ-N10XB-2	Strip to Wire	No wire, 2 pin, DC3V-24V / 5A wire end work with 22-18AWG/0.32-0.78mm <sup>2</sup>	
DJN10BB-2	Strip to Strip Joint	No wire, 2 pin, DC3V-24V / 5A	
SEN10-L4	L shape board to board	IP20 or Pure Silicon Waterproof (IP54/65) DC3~24V Max 5A	

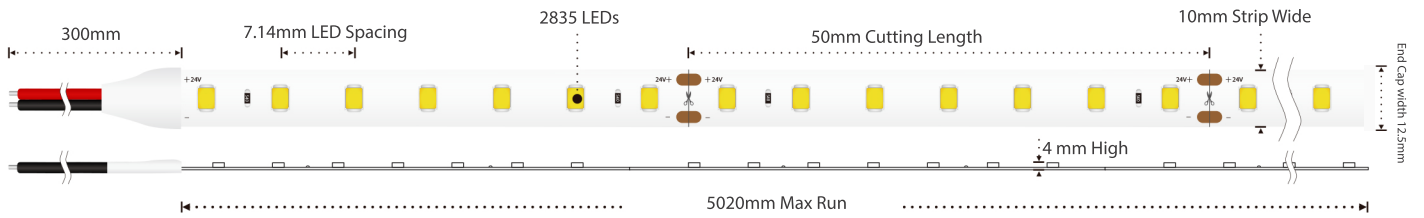
### LUMINOUS INTENSITY DISTRIBUTION DIAGRAM:





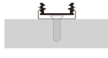

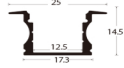
















### STANDARDS

- EN 60598-1
- EN 60598-2-2
- EN 60598-2-22
- EN 61000-3-2
- EN 61000-3-3
- EN 61547
- EN 55015

## DIMENSION:



## ALUMINIUM PROFILE LIST:

Profile	Section diagram	Install	Size	Cover	PCB Width
			15mm×07mm	Transarent/Milk	≤ 10mm
			24mm×15mm	Transarent/Milk	≤ 12mm
			17mm×15mm	Transarent/Milk	≤ 12mm
			16mm×16mm	Transarent/Milk	≤ 10mm
			16mm×16mm	Transarent/Milk	≤ 10mm
			20mm×20mm	Transarent/Milk	≤ 15mm
			20mm×20mm	Transarent/Milk	≤ 15mm

Order Code Ex : 951010440\_30K  
 Product Code CCT  
 951010440 127K-2700K  
 951010940 30K-3000K  
 951011440 40K-4000K  
 60K-6000K

Pluxb luminaires are developed with globally recognised and tested components suppliers, however as per international standards tolerance in initial flux and connected load is at ±5%. Unless stated otherwise, the values apply to an ambient temperature of 25°C.