

## FILLET



LM80



### DESCRIPTION:



Ultra-high efficiency, up to 110lm/w. High quality FPC, authentic 3M tape. Self-encapsulated design 2835 LED, Meet (EU)2019/2020 ErP regulations. Min. Bending Diameter  $\Phi$ 50mm. Light source lifetime 50K hours(L80).

### TECHNICAL DETAILS:

Power : 4 - 14W/M  
 Voltage : DC24V  
 CRI > 90  
 Led Qty : 120LEDs/M  
 Strip Width: 10mm  
 Length/Reel : 5M  
 Working Temperature : -20~50°C  
 Storage Temperature : -30~80°C  
 Voltage Range : 23 ~25V dc  
 Reverse Voltage : 25V dc  
 Warranty : 5 years

### FIELDS OF APPLICATION:

Retail  
 Reception areas  
 Galleries hotels  
 Living spaces

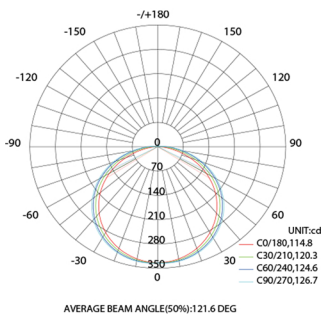
### PRODUCT CHART:

Product Code	Rg	Typical Power (W/M)	Max. Power (W/M)	CCT	Luminous Flux
951020420	96	4	4.4	2700K	400
				3000K	420
				4000K	440
				6000K	460
951020920	96	9	9.6	2700K	950
				3000K	970
				4000K	990
				6000K	1010
951021420	96	13	14.4	2700K	1390
				3000K	1410
				4000K	1430
				6000K	1450

### ACCESSORIES:

Product code	Type	Description	Image
DJ-N10XB-2	Strip to Wire	No wire, 2 pin, DC3V-24V / 5A wire end work with 22-18AWG/0.32-0.78mm <sup>2</sup>	
DJN10BB-2	Strip to Strip Joint	No wire, 2 pin, DC3V-24V / 5A	
SEN10-L4	L shape board to board	IP20 or Pure Silicon Waterproof (IP54/65) DC3~24V Max 5A	

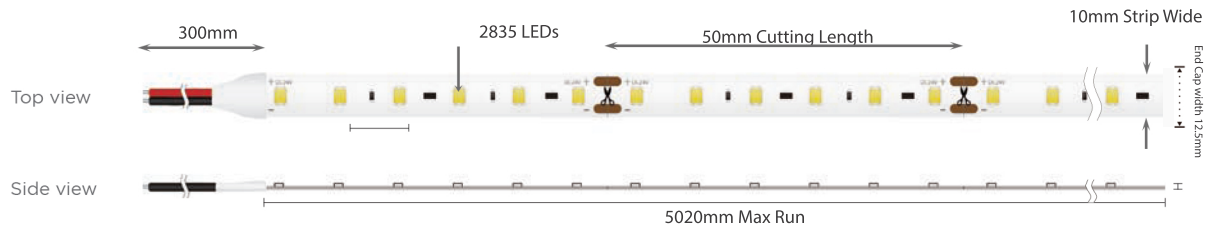
### LUMINOUS INTENSITY DISTRIBUTION DIAGRAM:





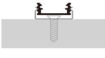

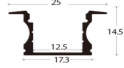












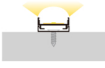

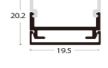

### STANDARDS

- EN 60598-1
- EN 60598-2-2
- EN 60598-2-22
- EN 61000-3-2
- EN 61000-3-3
- EN 61547
- EN 55015

## DIMENSION:



## ALUMINIUM PROFILE LIST:

Profile	Section diagram	Install	Size	Cover	PCB Width
			15mm×07mm	Transarent/Milk	≤ 10mm
			24mm×15mm	Transarent/Milk	≤ 12mm
			17mm×15mm	Transarent/Milk	≤ 12mm
			16mm×16mm	Transarent/Milk	≤ 10mm
			16mm×16mm	Transarent/Milk	≤ 10mm
			20mm×20mm	Transarent/Milk	≤ 15mm
			20mm×20mm	Transarent/Milk	≤ 15mm

Order Code Ex : 951020420 30K

Product Code	CCT
951020420	2700K
951020920	3000K
951021420	4000K
	6000K

Pluxb luminaires are developed with globally recognised and tested components suppliers, however as per international standards tolerance in initial flux and connected load is at ±5%. Unless stated otherwise, the values apply to an ambient temperature of 25°C.