

FILLET



LM80



DESCRIPTION:

Ultra-high efficiency, up to 130lm/w. High quality FPC, authentic 3M tape. Self-encapsulated design 2835 LED, Meet (EU)2019/2020 ErP regulations. Min. Bending Diameter Φ 50mm. Light source lifetime 50K hours(L80).

TECHNICAL DETAILS:

Power : 4 - 14W/M
 Voltage : DC24V
 CRI > 80
 Led Qty : 120LEDs/M
 Strip Width: 10mm
 Length/Reel : 5M
 Working Temperature : -20~50°C
 Storage Temperature : -30~80°C
 Voltage Range : 23 ~25V dc
 Reverse Voltage : 25V dc
 Warranty : 5 Years




FIELDS OF APPLICATION:

Retail
 Reception areas
 Galleries hotels
 Living spaces

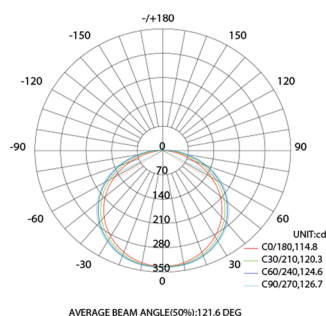
PRODUCT CHART:

Product Code	Rg	Typical Power (W/M)	Max. Power (W/M)	CCT	Luminous Flux
951010420	96	4	4.4	2700K	480
				3000K	500
				4000K	520
				6000K	540
951010920	96	9	9.6	2700K	1130
				3000K	1150
				4000K	1170
				6000K	1190
951011420	96	13	14.4	2700K	1780
				3000K	1800
				4000K	1820
				6000K	1840

ACCESSORIES:

Product code	Type	Description	Image
DJ-N10XB-2	Strip to Wire	No wire, 2 pin, DC3V-24V / 5A wire end work with 22-18AWG/0.32-0.78mm2	
DJN10BB-2	Strip to Strip Joint	No wire, 2 pin, DC3V-24V / 5A	
SEN10-L4	L shape board to board	IP20 or Pure Silicon Waterproof (IP54/65) DC3~24V Max 5A	

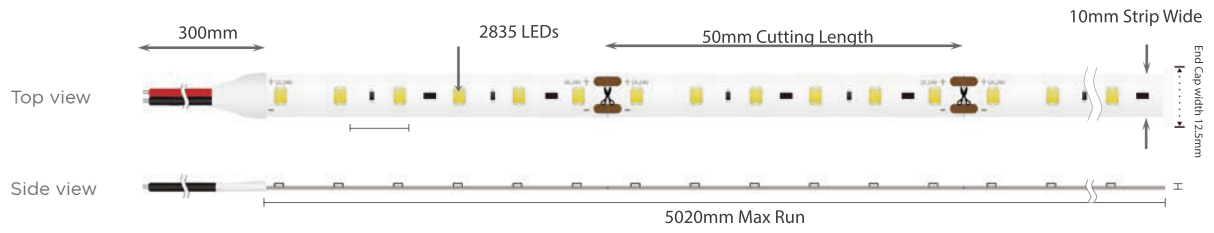
LUMINOUS INTENSITY DISTRIBUTION DIAGRAM:





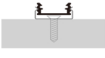

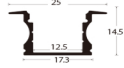
















STANDARDS

- EN 60598-1
- EN 60598-2-2
- EN 60598-2-22
- EN 61000-3-2
- EN 61000-3-3
- EN 61547
- EN 55015

DIMENSION:



ALUMINIUM PROFILE LIST:

Profile	Section diagram	Install	Size	Cover	PCB Width
			15mm×07mm	Transarent/Milk	≤ 10mm
			24mm×15mm	Transarent/Milk	≤ 12mm
			17mm×15mm	Transarent/Milk	≤ 12mm
			16mm×16mm	Transarent/Milk	≤ 10mm
			16mm×16mm	Transarent/Milk	≤ 10mm
			20mm×20mm	Transarent/Milk	≤ 15mm
			20mm×20mm	Transarent/Milk	≤ 15mm

Order Code Ex : 951010420 30K
 Product Code CCT
 951010420 27K-2700K
 951010920 30K-3000K
 951011420 40K-4000K
 60K-6000K

Pluxb luminaires are developed with globally recognised and tested components suppliers, however as per international standards tolerance in initial flux and connected load is at ±5%. Unless stated otherwise, the values apply to an ambient temperature of 25°C.