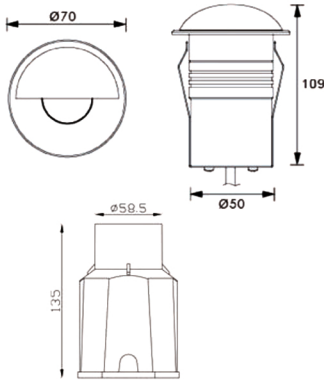


EYE'L



Description:

A round step light is a small, typically circular fixture designed for outdoor or indoor use. It is installed flush with a surface, such as a stair, deck, or pathway, to provide illumination and enhance safety. These lights often have a low profile, durable construction, and are designed to withstand various weather conditions.

They come in various designs, wattages, and light sources, providing flexibility for different lighting preferences and applications.

High-brightness high-quality led, high lumen, low light loss, long light source life.

Round step lights are commonly used to illuminate steps, walkways, or other areas where low-level, subtle lighting is desired for both aesthetic and practical purposes.

Product Specification:

Housing: Die cast aluminum
 Front cover : Die cast aluminum
 Coating: Powder Coating
 Gasket: Molding shaped silicone seal
 Lens/Reflector : Optical lens
 Power Cable: 0.5 mt. power cable included
 Driver : High efficiency, low flicker driver
 Installation Type: Wall mounted.
 Warranty: 5 Years

Technical Specification:

Wattage: 4 - 5W
 Voltage: DC24V / 220-240V AC
 Frequency: 50-60Hz
 Light Source: LED
 Lumen: 100lm/W
 Mac Adam: 3 Step
 Safety Class: I
 Working Temperature: -20°C to 50°C
 Life Time: 50,000hrs (L80/B10) at 35°C

Parameter:

Wattage	: 4W / 5W
Finish	: Grey (G) / Customized(C)
Kelvin*	: 3000K / 4000K / 6000K / RGB / RGBW
Beam Angle	: 5° / 10° / 15° / 30° / 45° / 60° / Symmetric / Asymmetric
CRI	: 80
Driver	: ON/OFF / 0/1-10V / Phase cut / DALI / DMX

*Special Colour & Finish on Request.

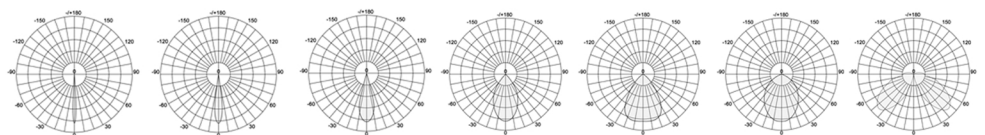
Product Chart:

Product Code	Wattage	Lumens(lm)*	Dimension(Ø)
86007004	4	400LM	70 mm
86007005	5	500LM	70 mm

*Luminous flux value is calculated for 4000K & CRI>80.

*Above mentioned standard wattages can be customized according to designed LUX requirement.

Photometric:



Standards

- EN 60598-1
- EN 60598-2-2
- EN 60598-2-22
- EN 61000-3-2
- EN 61000-3-3
- EN 61547
- EN 55015

Order Code Ex : 86007004 30K 60D 8 1 G AC

Product Code	CCT	Beam Angle	CRI	Driver	Finish	Volatge
86007004	30K-3000K	5D-5°	8-80	1-ON-OFF	G-Grey	DC-24VDC
86007005	40K-4000K	10D-10°		2-0/1-10V	C-Customized	AC-220-240VAC
	60K-6000K	15D-15°		3-Phase Cut		
	RGB	30D-30°		4-DALI		
	RGBW	45D-45°		5-DMX		
		60D-60°				
		S-Symmetric				
		A-Asymmetric				

Pluxb luminaires are developed with globally recognised and tested components suppliers, however as per international standards tolerance in initial flux and connected load is at ±5%. Unless stated otherwise, the values apply to an ambient temperature of 25°C.